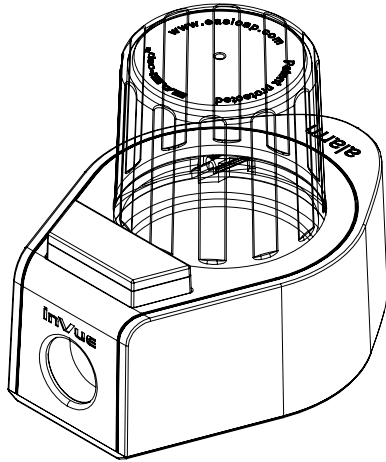


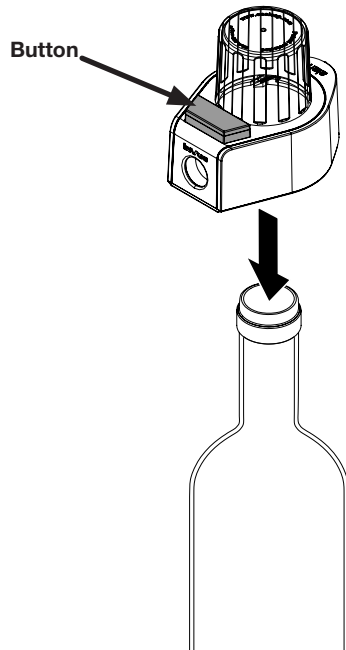


### Bottle Cap

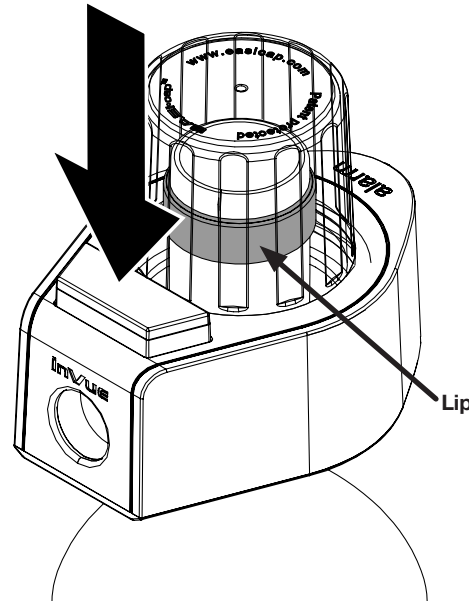
OneKEY Bottle Cap, Small, Medium & Large, RF & AM  
NBCS-AM/RF, NBCM-AM/RF,  
NBCL-AM/RF



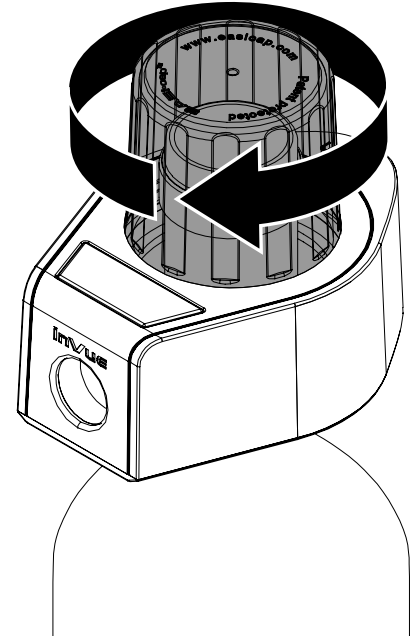
- 1 Place the bottle cap onto the merchandise. Make sure that the button is not pressed down.



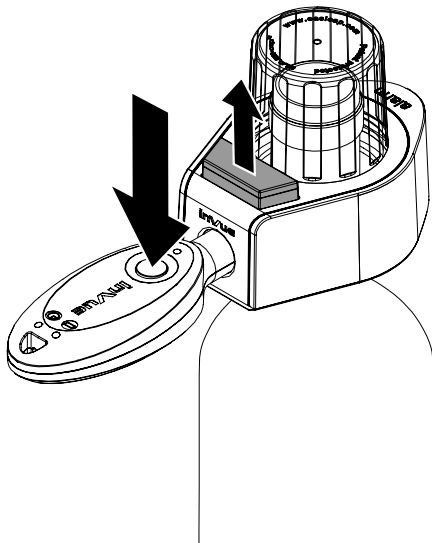
- 2 Press the button on the Bottle Cap. **NOTE:** Be sure that the lip of the bottle sits above the cables within the Bottle Cap.



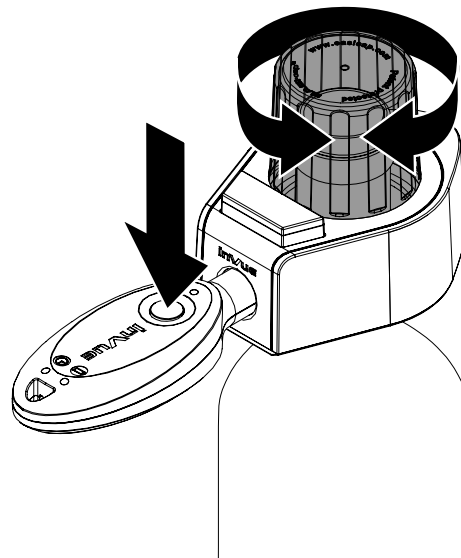
- 3 Twist the clear cap to tighten the cables and secure the bottle. Make sure that the bottle is secure.



- 4a To release the bottle cap, insert a OneKEY into the port on the front of the Bottle Cap and press the button on the key. The button on the Bottle Cap will pop up.



- 4b If the button fails to pop up, twist the cap back and forth slightly, while pressing the button on the OneKEY, to relieve any back pressure on the Bottle Cap.



SD0648 Rev2 11/15/18



[www.invue.com](http://www.invue.com)

NA / LATAM // 704.752.6513 • 888.55.INVUE

EMEA // +31.23.8900150

APAC // +852.3127.6811

© 2018 InVue Security Products Inc. All rights reserved.  
InVue is a registered trademark of InVue Security Products.